

# DADF-H1

# PARTS CATALOG

REVISION 0

F25 - 7601	AB SIZE	XDW00001 -
F25 - 7611	A/INCH SIZE	XDY00001 -
F25 - 7621	A SIZE	XEB00001 -
F25 - 7631	AB/INCH SIZE	XED00001 -

**Canon**

APR. 2001

**FY8-31FD-000**

## PREFACE

This Parts Catalog contains listings of parts used in the Canon DADF-H1. Diagrams are provided with the listings to aid the service technician in identifying clearly, the item to be orderd.

Whenever ordering parts, consult this Parts Catalog for all of the information pertaining to each item. Be sure to include, in the Parts Request, the full item description, the item part number, and the quantity.

Canon Inc.

Office Imaging Products Quality Assurance Center  
5-1, Hakusan 7-chome,  
Toride-city, Ibaraki 302-8501, Japan

*COPYRIGHT © 2001 CANON INC.*

*Printed in Japan*

*Imprimé au Japon*

Use of this manual should be strictly supervised to avoid disclosure of confidential information.

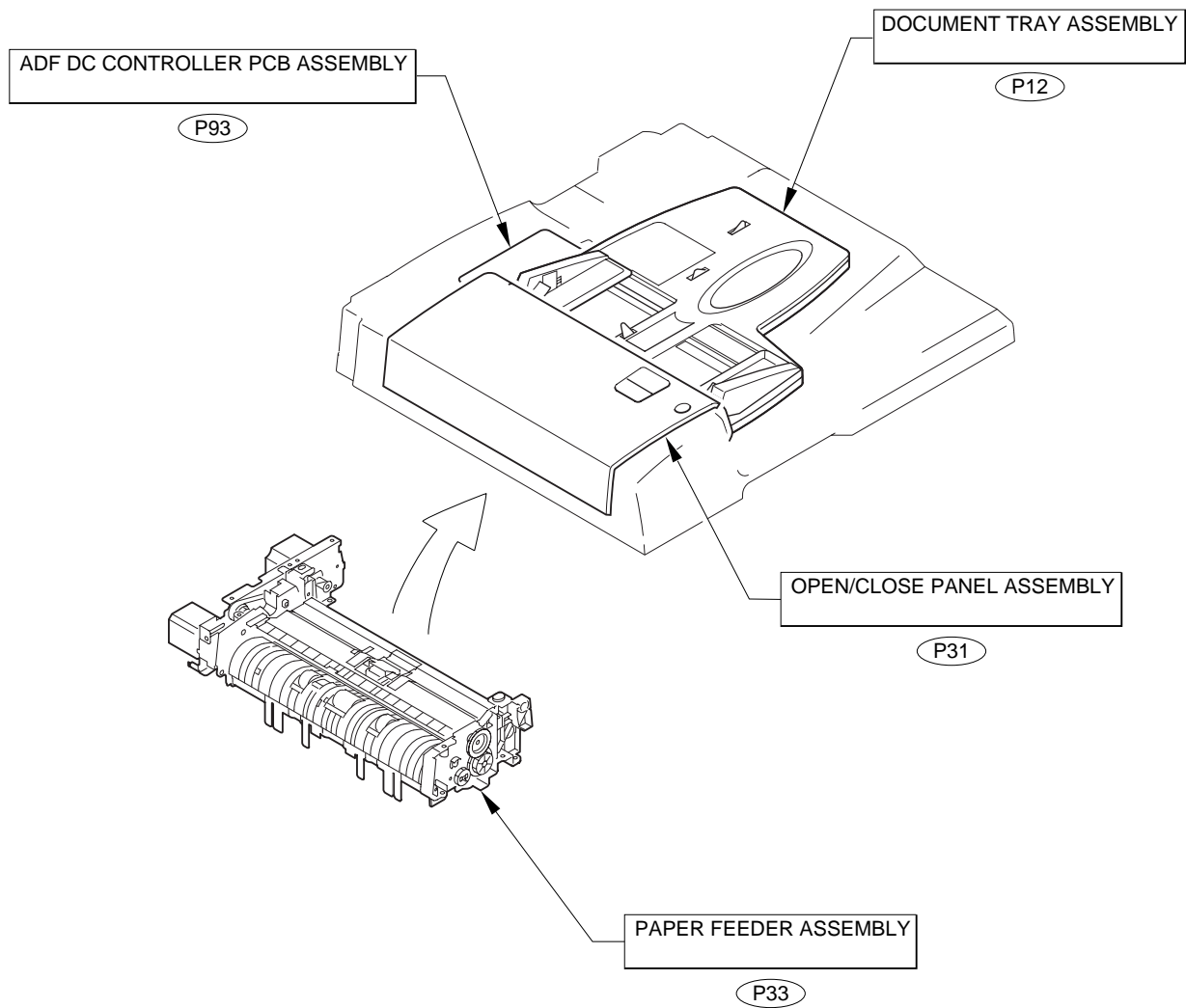
# CONTENTS

-DADF-H1-

- PA. ASSEMBLY LOCATION DIAGRAM
  
- P01. MOUNTING HARDWARE
  
- P11. INTERNAL COMPONENTS
- P12. DOCUMENT TRAY ASSEMBLY
  
- P31. OPEN/CLOSE PANEL ASSEMBLY
- P33. PAPER FEEDER ASSEMBLY
  
- P93. ADF DC CONTROLLER PCB ASSEMBLY
  
  
- PB1. LIST OF CONNECTORS
- PB2. LIST OF ELECTRIC PARTS
  
  
- D. NUMERICAL INDEX



# FIGURE PA ASSEMBLY LOCATION DIAGRAM



# FIGURE P01 MOUNTING HARDWARE

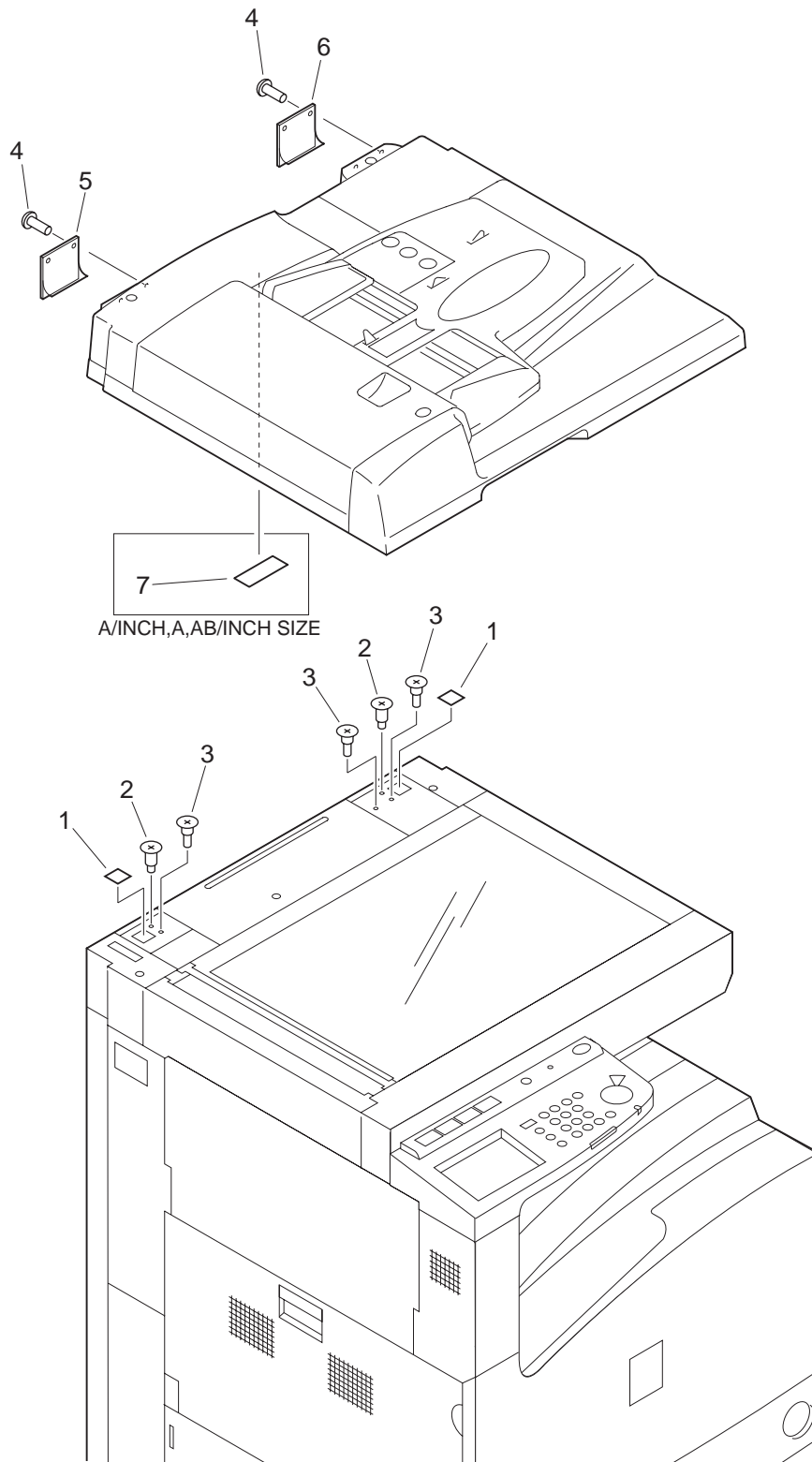
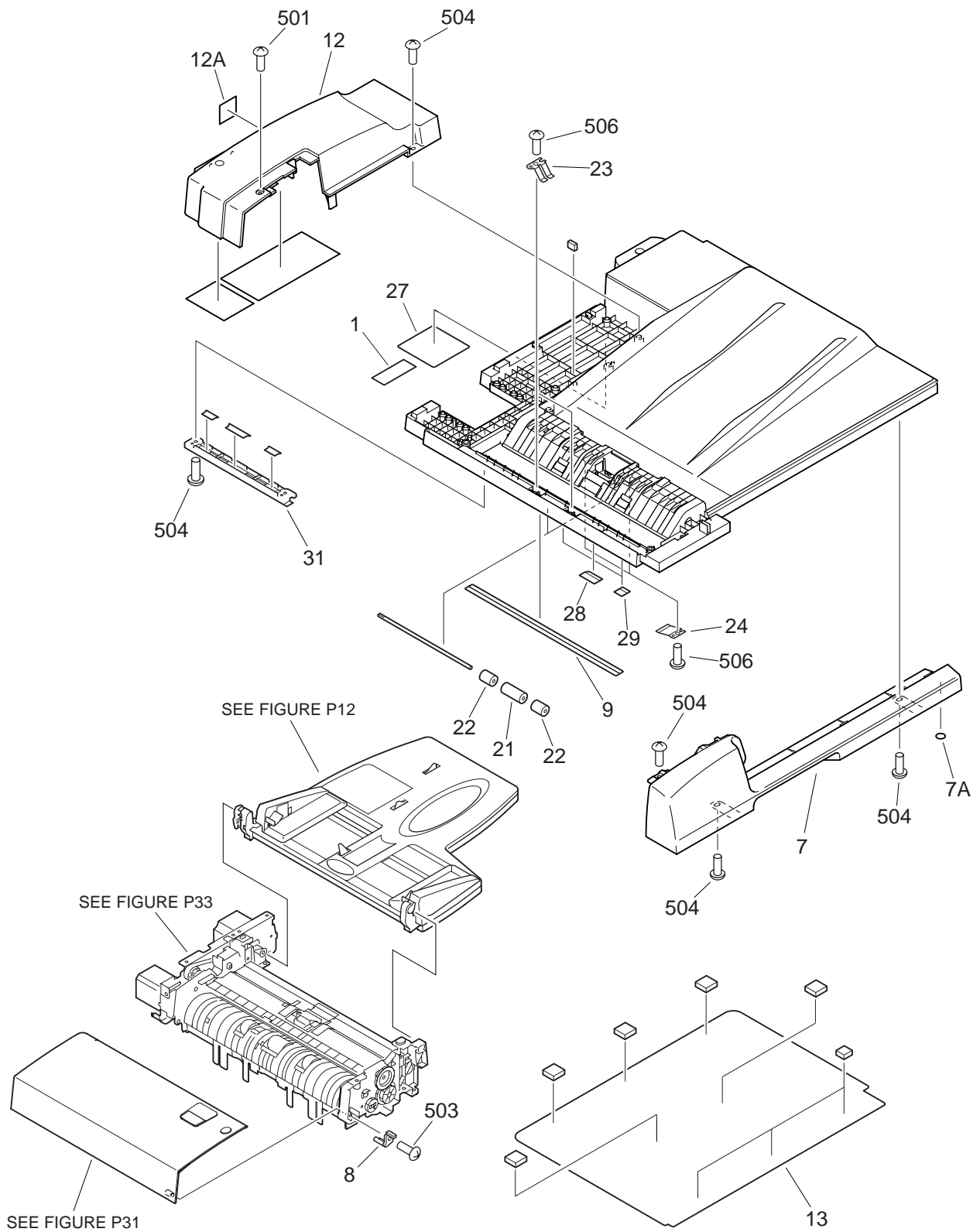


FIGURE & KEY NO.	PART NUMBER	RANK	QTY	DESCRIPTION	SERIAL NUMBER / REMARKS
P01 -	NPN		RF	MOUNTING HARDWARE	
1	FB5-4544-000		2	SHEET, BLANKING	
2	FS2-9540-000		2	SCREW, STEPPED, M5	
3	FS2-9542-000		3	SCREW, STEPPED	
4	XA9-0874-000		4	SCREW, M3X8	
5	FB5-9504-000		1	SHEET, HINGE GUIDE, LEFT	
6	FB5-9505-000		1	SHEET, HINGE GUIDE, RIGHT	
7	FS6-8816-000		1	LABEL, CAUTION	A/INCH SIZE, A SIZE AB/INCH SIZE

# FIGURE P11 INTERNAL COMPONENTS (1/2)





# FIGURE P11 INTERNAL COMPONENTS (2/2)

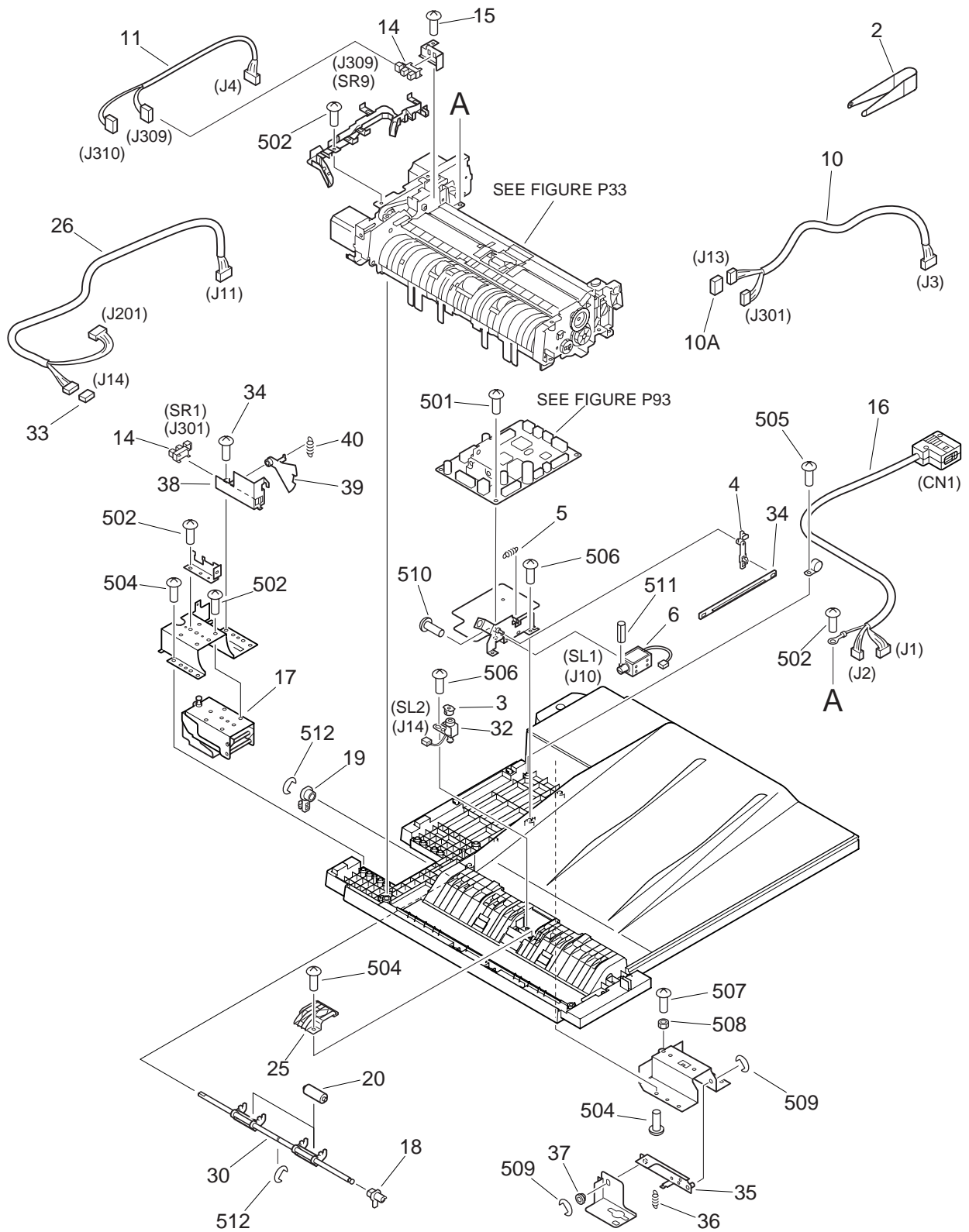
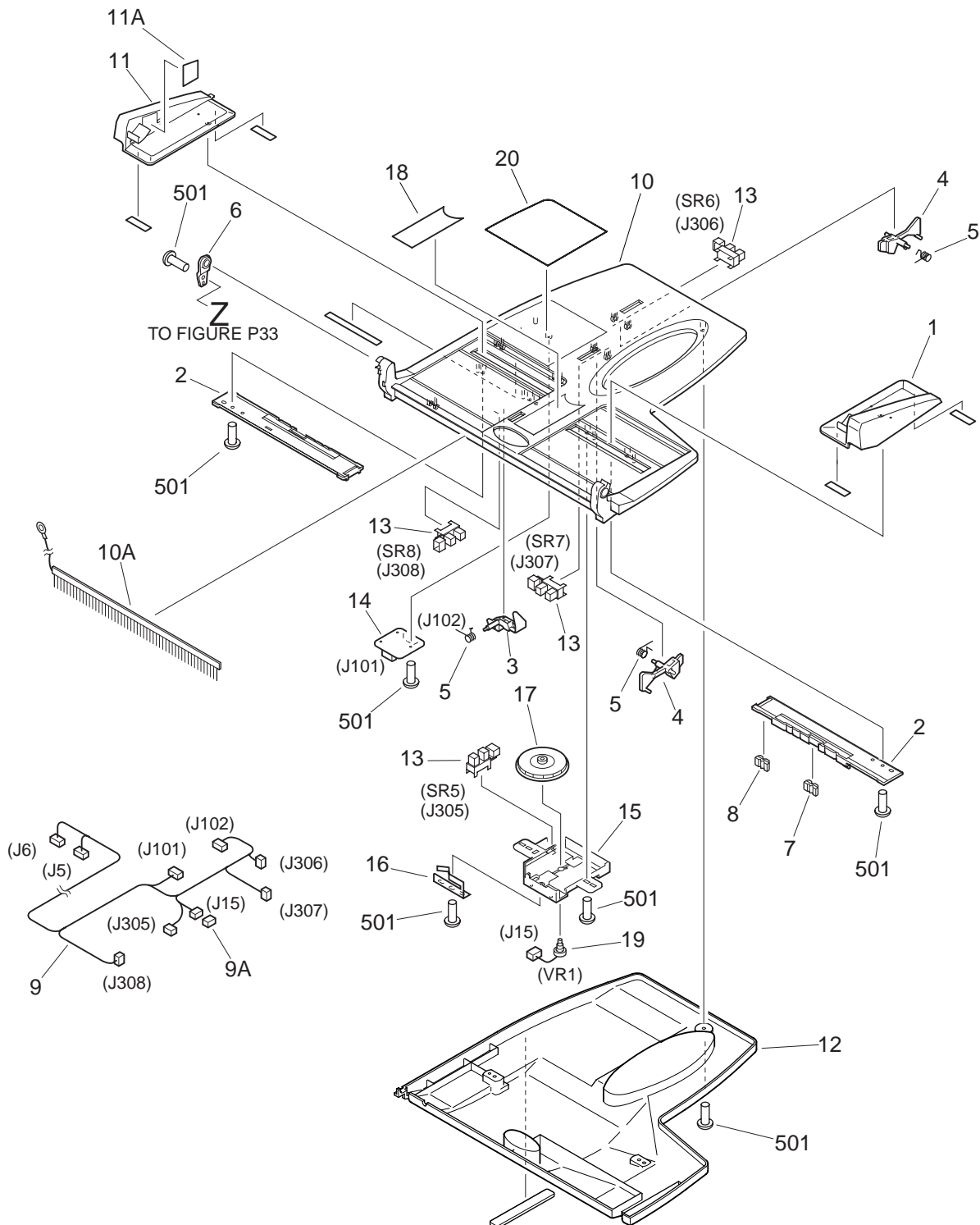


FIGURE & KEY NO.	PART NUMBER	RANK	QTY	DESCRIPTION	SERIAL NUMBER / REMARKS
P11 -	NPN		RF	INTERNAL COMPONENTS	
1	FB4-5944-000		1	LABEL, HINGE, A	AB SIZE
2	FF5-5739-000		1	STAMP PINCH	
3	FB5-9410-000		1	STAMPER	
4	FB5-9392-000		1	LEVER, SOLENOID, 2	
5	FS7-2662-000		1	SPRING, TENSION	
6	FH6-5021-000		1	SOLENOID	SL1 J10
7	FF6-1289-000		1	PANEL, FRONT	
7A	XH9-0126-000		1	SHEET, CLEAR DAMPER	
8	FB5-9369-000		1	SHAFT, OPEN/CLOSE	
9	FB5-9379-000		1	SHEET, PAPER FEED SUPPORT, 1	
10	FF3-4302-000		1	CABLE, DF OPEN/CLOSE CONNECT	J3,13,301
10A	VS1-5057-009		1	CONNECTOR, SNAP TIGHT	J13
11	FF3-4306-000		1	CABLE, COVER OPEN/CLOSE SENSOR	J4,309,310
12	FF6-1268-000		1	PANEL, REAR	
12A	FB4-5946-000		1	LABEL, CAUTION, HINGE	
13	FF6-1274-000		1	PANEL, COPYBOARD	
14	WG8-5362-000		2	IC, TLP1241, PHOTO-INTERRUPTER	PI1,9 J301,309
15	XA9-0894-000		2	SCREW,M3X6	
16	FG3-1820-000		1	CABLE, INTERFACE	CN1,J1,2
17	FB5-9385-000		1	LEFT HINGE UNIT	
18	FB5-9393-000		1	BUSHING	
19	FB5-9394-000		1	BUSHING	
20	FB5-9395-000		2	ROLLER, DELIVERY REVERSE	
21	FB5-9399-000		2	ROLLER, PAPER FEED, 1	
22	FB5-9400-000		4	ROLLER, PAPER FEED, 2	
23	FB5-9401-000		2	SPRING, LEAF	
24	FB5-9402-000		2	SPRING, LEAF	
25	FB5-9406-000		1	GUIDE, STAMP	
26	FF3-4307-000		1	CABLE, SOLENOID LED	J11,14,201

FIGURE & KEY NO.	PART NUMBER	R A N K	Q' T Y	DESCRIPTION	SERIAL NUMBER / REMARKS
P11 - 27	FB4-5945-000		1	LABEL, CAUTION, HINGE	
28	FB5-9380-000		1	SHEET, PAPER FEED, 1	
29	FB5-9381-000		2	SHEET, PAPER FEED, 2	
30	FF6-1272-000		1	SHAFT, DELIVERY REVERSE ROLLER	
31	FF6-1273-000		1	GUIDE, PAPER FEED ROLLER	
32	FH6-5022-000		1	SOLENOID	SL2 J14
33	VS1-5057-002		1	CONNECTOR, SNAP TIGHT	J14
34	FB5-9391-000		1	LINK, SOLENOID	
35	FF6-1270-000		1	ARM, RIGHT HINGE	
36	FS7-2660-000		1	SPRING, TENSION	
37	RS1-1042-000		1	BUSHING	
38	FB5-9388-000		1	COVER, DF SENSOR	
39	FB5-9389-000		1	FLAG, DF SENSOR	
40	FS7-2661-000		1	SPRING, TENSION	
501	XB1-2400-606		3	SCREW,MACH.,TRUSS HEAD,M4X6	
502	XB1-2400-609		9	SCREW,MACH.,TRUSS HEAD,M4X6	
503	XB4-5300-809		3	SCREW,P,M3X8	
504	XB4-5401-006		13	SCREW,P,M4X10	
505	XB4-5401-009		6	SCREW,P,M4X10	
506	XB4-5400-809		6	SCREW,P,M4X8	
507	XB1-2401-406		1	SCREW,MACH.,TRUSS HEAD,M4X14	
508	XB7-2100-405		1	NUT,HEX,M4	
509	XD2-1100-502		2	RING,E	
510	XB1-2300-309		2	SCREW,MACH.,TRUSS HEAD,M3X3	
511	XD3-1300-162		1	PIN,SPRING	
512	XD2-1100-402		2	RING,E	

# FIGURE P12 DOCUMENT TRAY ASSEMBLY



NOTE : This assembly does not include the parts shown with key No. 18 and 20.

FIGURE & KEY NO.	PART NUMBER	R A N K	Q' T Y	DESCRIPTION	SERIAL NUMBER / REMARKS
P12 -	FG6-7659-000		1	DOCUMENT TRAY ASSEMBLY	
1	FF6-1279-000		1	GUIDE, DOCUMENT SIDE, FRONT	
2	FB5-9420-000		2	RACK, DOCUMENT SIDE GUIDE	
3	FB5-9423-000		1	FLAG, CYCLE END	
4	FB5-9424-000		2	FLAG, DOCUMENT LENGTH SENSOR	
5	FB5-9427-000		3	SPRING, TORSION	
6	FB5-9428-000		1	HOLDER, DOCUMENT TRAY	
7	FC3-0634-000		1	RACK	A4
8	FC3-0665-000		1	RACK	LTR
9	FF3-4304-000		1	CABLE, DOCUMENT TRAY	J5,6,15,101,102 J305-308
9A	VS1-5057-003		1	CONNECTOR, SNAP TIGHT	J15
10	FF6-1276-000		1	TRAY, DOCUMENT, UPPER	
10A	FB5-9414-000		1	ELIMINATOR, STATIC CHARGE	
11	FF6-1277-000		1	GUIDE, DOCUMENT SIDE, REAR	
11A	FB5-9509-000		1	LABEL, DOCUMENT HEIGHT LIMIT	
12	FF6-1278-000		1	GUIDE, DOCUMENT TRAY, LOWER	
13	WG8-5362-000		4	IC, TLP1241, PHOTO-INTERRUPTER	PI2-5 J305-308
14	FG3-1876-000		1	CONNECTING PCB UNIT	J101,102
15	FB5-9415-000		1	HOLDER, VOLUME	
16	FB5-9417-000		1	SPRING, LEAF	
17	FS4-0590-000		1	GEAR, 62T	
18	FB5-9506-000		1	LABEL, DOCUMENT SET	SEE NOTE AB SIZE
	FB5-9507-000		1	LABEL, DOCUMENT SET	SEE NOTE A/INCH SIZE AB/INCH SIZE
	FB5-9508-000		1	LABEL, DOCUMENT SET	SEE NOTE A SIZE
19	FG3-1821-000		1	VARIABLE RESISTOR UNIT	VR1 J15
20	FB5-9497-000		1	LABEL, DOCUMENT SIZE	SEE NOTE AB SIZE
	FB5-9498-000		1	LABEL, DOCUMENT SIZE	SEE NOTE A/INCH SIZE
	FB5-9499-000		1	LABEL, DOCUMENT SIZE	SEE NOTE A SIZE
	FB5-9500-000		1	LABEL, DOCUMENT SIZE	SEE NOTE AB/INCH SIZE

FIGURE & KEY NO.	PART NUMBER	R A N K	Q' T Y	DESCRIPTION	SERIAL NUMBER / REMARKS
P12 - 501	XB4-5300-809		9	SCREW,P,M3X8	



# FIGURE P31

## OPEN/CLOSE PANEL ASSEMBLY

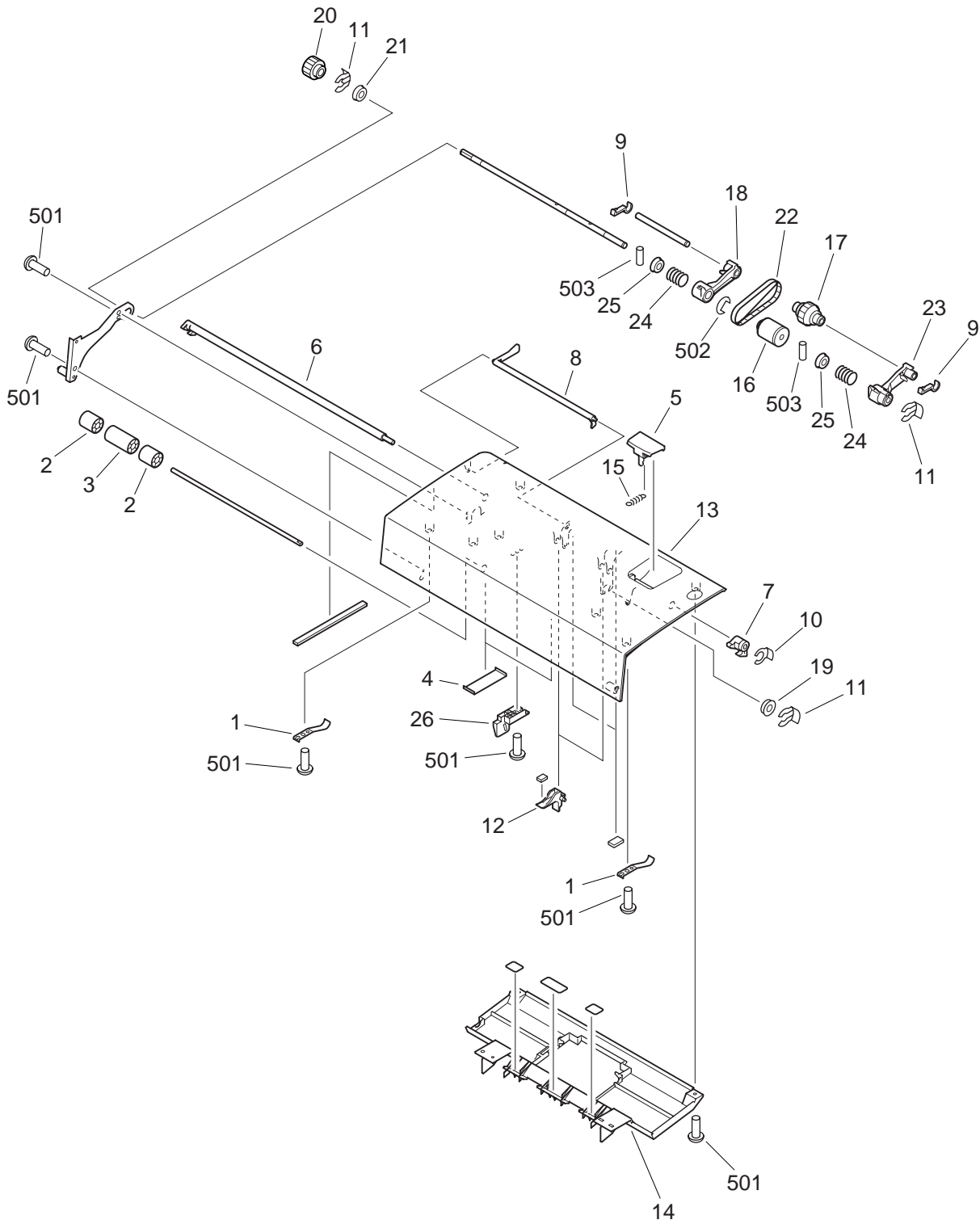
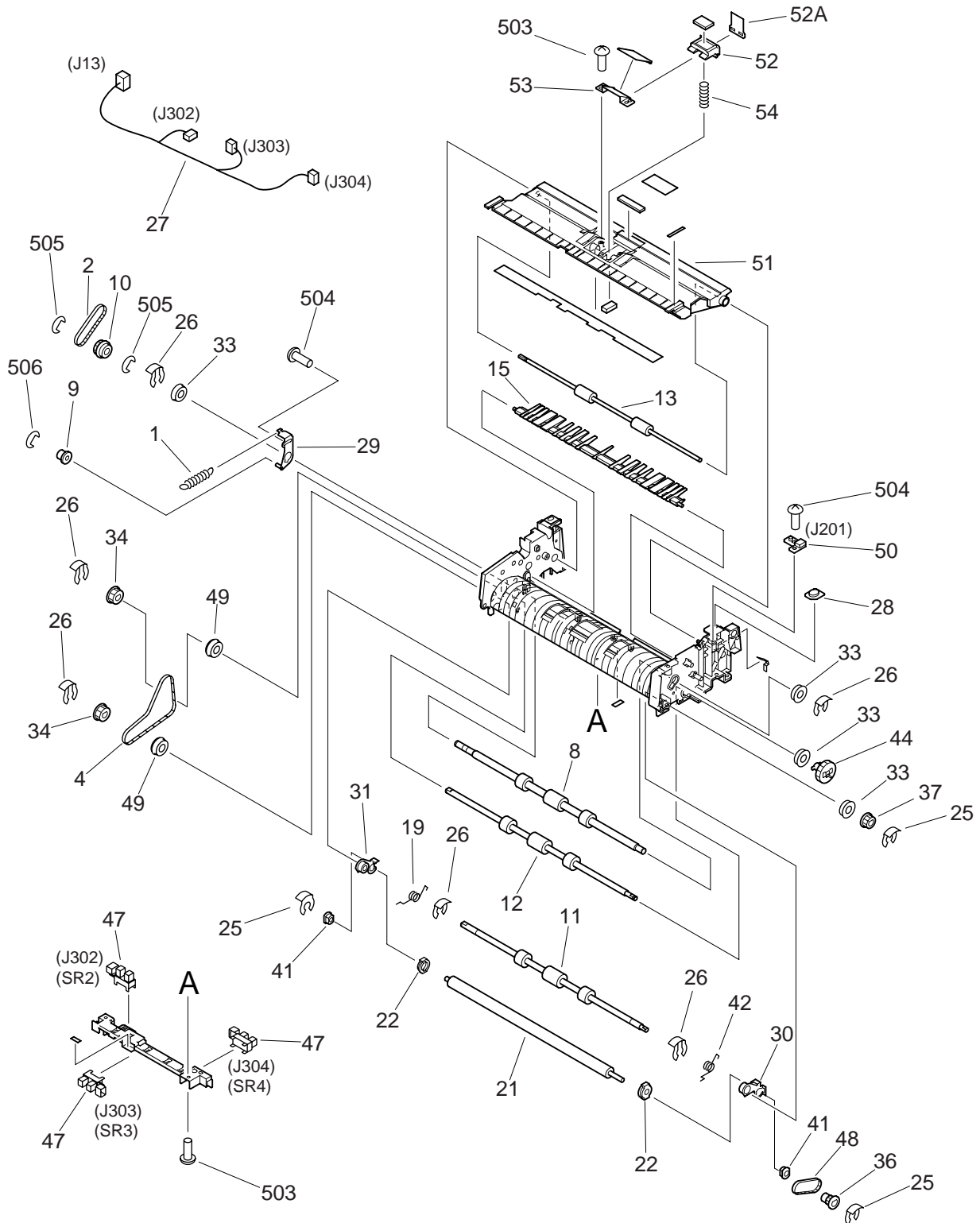




FIGURE & KEY NO.	PART NUMBER	RANK	QTY	DESCRIPTION	SERIAL NUMBER / REMARKS
P31 -	FG6-7660-000		1	OPEN/CLOSE PANEL ASSEMBLY	
1	FB5-9434-000		2	SPRING, LEAF	
2	FB5-9435-000		2	ROLLER, REGISTRATION, 1	
3	FB5-9436-000		1	ROLLER, REGISTRATION, 2	
4	FB5-9438-000		2	SPRING, LEAF	
5	FB5-9439-000		1	LEVER, OPEN/CLOSE	
6	FB5-9440-000		1	SHAFT, LATCH	
7	FB5-9441-000		1	LEVER, LATCH	
8	FB5-9443-000		1	FLAG, DOCUMENT SENSOR	
9	FB5-9452-000		2	LEVER, STOP	
10	FC3-0661-000		1	CLIP	
11	FC3-0662-000		3	CLIP	
12	FF6-1275-000		2	SHUTTER	
13	FF6-1280-000		1	PANEL, OPEN/CLOSE	
14	FF6-1282-000		1	GUIDE, OPEN/CLOSE	
15	FS7-2663-000		1	SPRING, TENSION	
16	FB5-9445-000		1	ROLLER, PAPER SEPARATION	
17	FB5-9446-000		1	ROLLER, PAPER PICK-UP	
18	FB5-9451-000		1	ARM, PAPER PICK-UP, REAR	
19	FS2-1538-000		1	BUSHING	
20	FU3-0027-000		1	GEAR, 18T	
21	RS1-1053-000		1	BUSHING	
22	XF2-1606-140		1	BELT, TIMING	
23	FB5-9448-000		1	ARM, PAPER PICK-UP, FRONT	
24	FB5-9450-000		2	SPRING, CLUTCH	
25	FC3-0636-000		2	BUSHING	
26	FB5-9449-000		1	COVER, REGISTRATION ADJUSTMENT	
501	XB4-5300-809		9	SCREW,P,M3X8	
502	XD2-1100-502		1	RING,E	
503	XD3-2200-102		2	PIN,DOWEL	

# FIGURE P33

## PAPER FEEDER ASSEMBLY (1/2)



# FIGURE P33

## PAPER FEEDER ASSEMBLY (2/2)

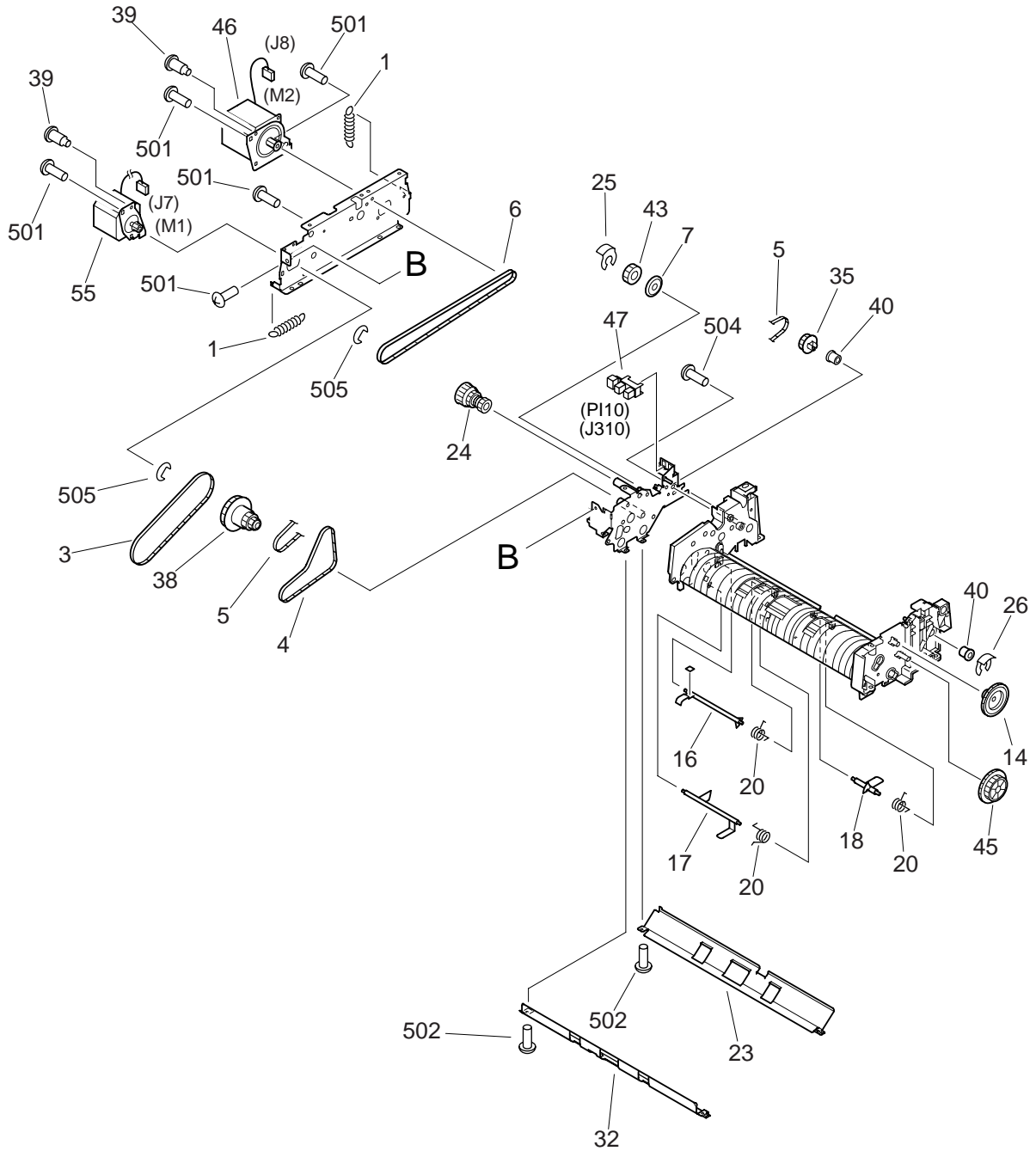


FIGURE & KEY NO.	PART NUMBER	RANK	QTY	DESCRIPTION	SERIAL NUMBER / REMARKS
P33 -	FG6-7661-000		1	PAPER FEEDER ASSEMBLY	
1	FS7-2664-000		3	SPRING, TENSION	
2	XF2-1605-940		1	BELT, TIMING	
3	XF2-1607-440		1	BELT, TIMING	
4	XF9-0727-000		1	BELT, TIMING	
5	XF2-1610-240		1	BELT, TIMING	
6	XF2-1616-060		1	BELT, TIMING	
7	FB5-9462-000		1	FLANGE, BELT	
8	FB5-9463-000		1	ROLLER, REGISTRATION	
9	FB5-9465-000		1	PULLEY, TENSIONER	
10	FB5-9466-000		1	PULLEY, ONE-WAY	
11	FB5-9467-000		1	ROLLER, PAPER FEEDER, 1	
12	FB5-9468-000		1	ROLLER, PAPER FEEDER, 2	
13	FB5-9469-000		1	ROLLER, PAPER DELIVERY	
14	FB5-9470-000		1	KNOB, JAM CLEARING	
15	FB5-9471-000		1	DEFLECTOR, PAPER	
16	FF6-1293-000		1	FLAG, REGISTRATION SENSOR	
17	FB5-9473-000		1	FLAG, READ SENSOR	
18	FB5-9474-000		1	FLAG, PAPER DELIVERY SENSOR	
19	FB5-9486-000		1	SPRING, TORSION	
20	FB5-9477-000		3	SPRING, TORSION	
21	FB5-9480-000		1	ROLLER, PLATEN	
22	FB5-9481-000		2	SPACER, GAP	
23	FB5-9483-000		1	GUIDE, PLATEN ROLLER, RIGHT	
24	FG6-7677-000		1	PICK DRIVE GEAR UNIT	
25	FC3-0661-000		4	CLIP	
26	FC3-0662-000		7	CLIP	
27	FF3-4303-000		1	CABLE, PATH SENSOR	J13,302-304
28	FB5-9460-000		1	WINDOW, LED	
29	FF6-1285-000		1	PLATE, TENSIONER	

FIGURE & KEY NO.	PART NUMBER	RANK	QTY	DESCRIPTION	SERIAL NUMBER / REMARKS
P33 - 30	FF6-1286-000		1	ARM, SWING BUSHING, FRONT	
31	FF6-1287-000		1	ARM, SWING BUSHING, REAR	
32	FB5-9482-000		1	GUIDE, PLATEN ROLLER, LEFT	
33	FS1-1189-000		4	BUSHING	
34	FS5-3927-000		2	PULLEY, 27T	
35	FS5-3928-000		1	PULLEY, 28T	
36	FS5-3929-000		1	PULLEY, 18T	
37	FS5-3930-000		1	PULLEY, 23T	
38	FS5-3931-000		1	PULLEY, 56T/29T/21T	
39	FS1-9010-000		2	SCREW, STEPPED, M3X2.2	
40	FS6-1020-000		2	BUSHING	
41	FS6-1022-000		2	BUSHING	
42	FB5-9485-000		1	SPRING, TORSION	
43	FU3-0028-000		1	GEAR, 19T	
44	FU3-0029-000		1	GEAR, 30T	
45	FU3-0030-000		1	GEAR, 54T/39T	
46	FH6-1895-000		1	MOTOR, STEPPING	M2 J8
47	WG8-5362-000		4	IC, TLP1241, PHOTO-INTERRUPTER	PI6-8,10 J302-304,310
48	XF2-1604-340		1	BELT, TIMING	
49	XG9-0403-000		2	BEARING, BALL	
50	FG3-1877-000		1	LED PCB UNIT	J201
51	FF6-1290-000		1	GUIDE, PAPER SEPARATION	
52	FF6-1291-000		1	HOLDER, SEPARATION PAD, 1	
52A	FB5-9491-000		1	PAD, PAPER SEPARATION	
53	FF6-1292-000		1	HOLDER, SEPARATION PAD, 2	
54	FS7-2665-000		1	SPRING, COMPRESSION	
55	FH6-1894-000		1	MOTOR, STEPPING	M1 J7
501	XB1-2400-609		6	SCREW, MACH., TRUSS HEAD, M4X6	
502	XB1-2300-406		3	SCREW, MACH., TRUSS HEAD, M3X4	
503	XB4-5300-809		4	SCREW, P, M3X8	

FIGURE & KEY NO.	PART NUMBER	R A N K	Q' T Y	DESCRIPTION	SERIAL NUMBER / REMARKS
P33 - 504	XB4-5400-809		4	SCREW,P,M4X8	
505	XD2-1100-642		4	RING,E	
506	XD2-1100-402		1	RING,E	
-----	-----	-----	-----	-----	-----
-----	-----	-----	-----	-----	-----
-----	-----	-----	-----	-----	-----
-----	-----	-----	-----	-----	-----
-----	-----	-----	-----	-----	-----

# FIGURE P93 ADF DC CONTROLLER PCB ASSEMBLY

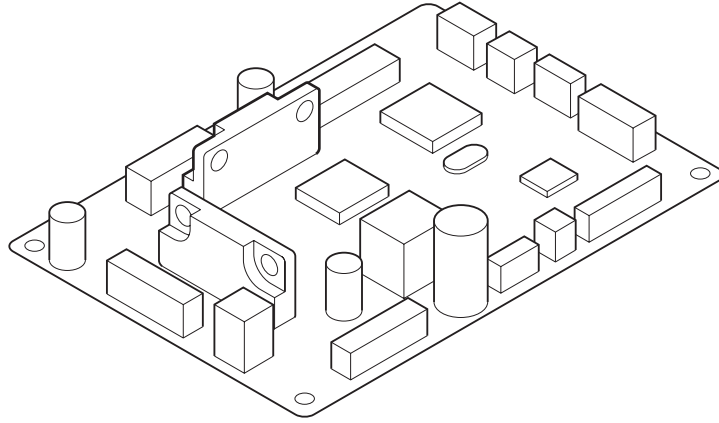


FIGURE & KEY NO.	PART NUMBER	RANK	QTY	DESCRIPTION	SERIAL NUMBER / REMARKS
P93 -	FG3-1822-000		1	ADF DC CONTROLLER PCB ASSEMBLY	
FU1	VD7-1561-201		1	FUSE, 1.2A 50V	

# FIGURE PB1 LIST OF CONNECTORS

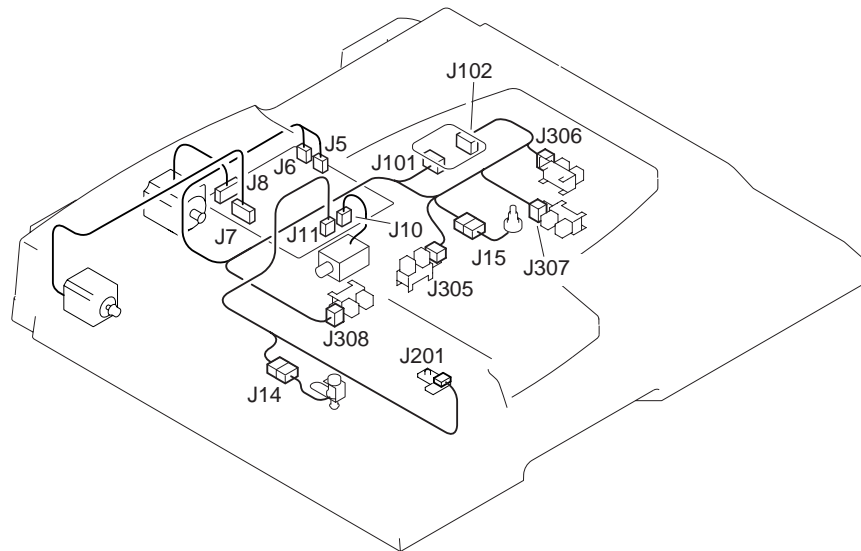
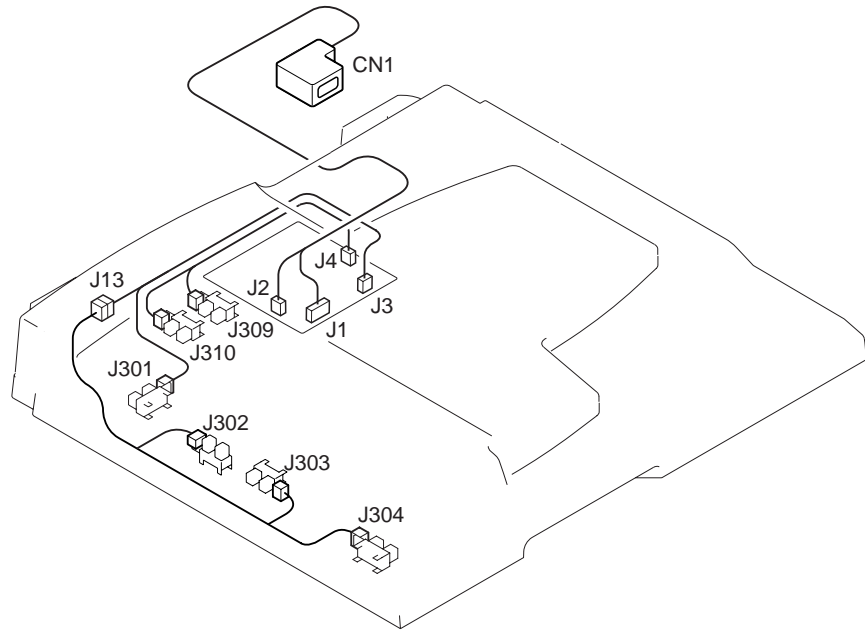




FIGURE & KEY NO.	PART NUMBER	R A N K	Q' T Y	DESCRIPTION	SERIAL NUMBER / REMARKS
P B1 -	NPN		RF	LIST OF CONNECTORS	
CN1	SYS			TO COPIER	
	FH2-6481-000		1	HOUSING	
	VS3-5080-007		1	CONNECTOR, 7P, FEMALE	
	WS3-5044-000		3	SOCKET, CONTACT, 18-24AWG	
	WT1-5155-000		7	TERMINAL	
J1	PCB			DC CONTROLLER	
	VS3-5080-007		1	CONNECTOR, 7P, FEMALE	
	WT1-5155-000		7	TERMINAL	
J2	PCB			DC CONTROLLER	
	VS3-5083-002		1	CONNECTOR, 2P, FEMALE	
	WS3-5160-000		2	SOCKET CONTACT, 18-24AWG	
J3	PCB			DC CONTROLLER	
	VS1-6225-012		1	CONNECTOR, 12P, FEMALE	
J4	PCB			DC CONTROLLER	
	VS1-6225-006		1	CONNECTOR, 6P, FEMALE	
J5	PCB			DC CONTROLLER	
	VS1-5824-003		1	CONNECTOR, 3P, FEMALE	
	WS3-5358-000		3	SOCKET CONTACT, 22-26AWG	
J6	PCB			DC CONTROLLER	
	VS1-5824-004		1	CONNECTOR, 4P, FEMALE	
	WS3-5358-000		4	SOCKET CONTACT, 22-26AWG	
J7	PCB			DC CONTROLLER	
	NPN			READ MOTOR	M1
J8	PCB			DC CONTROLLER	
	NPN			PAPER PICK-UP MOTOR	M2
J10	PCB			DC CONTROLLER	
	NPN			SOLENOID	SL1
J11	PCB			DC CONTROLLER	
	VS1-6225-004		1	CONNECTOR, 4P, FEMALE	

FIGURE & KEY NO.	PART NUMBER	RANK	QTY	DESCRIPTION	SERIAL NUMBER / REMARKS
P B1 - J13	VS1-0842-009		2	CONNECTOR, 9P, FEMALE	
	VS1-5057-009		1	CONNECTOR, SNAP TIGHT	
J14	NPN			STAMP SOLENOID	SL2
	VS1-0842-002		1	CONNECTOR, 2P, FEMALE	
J15	NPN			VARIABLE RESISTOR	VR1
	VS1-0842-003		1	CONNECTOR, 3P, FEMALE	
J101	PCB			CONNECTING PCB	
	VS1-5824-007		1	CONNECTOR, 7P, FEMALE	
J102	WS3-5358-000		7	SOCKET CONTACT, 22-26AWG	
	PCB			CONNECTING PCB	
J201	VS1-6225-015		1	CONNECTOR, 15P, FEMALE	
	PCB			LED PCB UNIT	
J301	VS1-0842-003		1	CONNECTOR, 3P, FEMALE	
	NPN			DF OPEN SENSOR	PI1
J302	VS1-0842-003		1	CONNECTOR, 3P, FEMALE	
	NPN			REGISTRATION SENSOR	PI6
J303	VS1-0842-003		1	CONNECTOR, 3P, FEMALE	
	NPN			READ SENSOR	PI7
J304	VS1-0842-003		1	CONNECTOR, 3P, FEMALE	
	NPN			DELIVERY SENSOR	PI8
J305	VS1-0842-003		1	CONNECTOR, 3P, FEMALE	
	NPN			A4/LTR SENSOR	PI2
J306	VS1-0842-003		1	CONNECTOR, 3P, FEMALE	
	NPN			DOCUMENT LENGTH SENSOR 1	PI3
J307	VS1-0842-003		1	CONNECTOR, 3P, FEMALE	
	NPN			DOCUMENT LENGTH SENSOR 2	PI4
J308	VS1-0842-003		1	CONNECTOR, 3P, FEMALE	
	NPN			CYCLE END SENSOR	PI5
J309	VS1-0842-003		1	CONNECTOR, 3P, FEMALE	
	NPN			COVER OPEN/CLOSE SENSOR	PI9

FIGURE & KEY NO.	PART NUMBER	R A N K	Q' T Y	DESCRIPTION	SERIAL NUMBER / REMARKS
P B1 - J309	VS1-0842-003		1	CONNECTOR, 3P, FEMALE	
J310	NPN			EMPTY SENSOR	PI10
	VS1-0842-003		1	CONNECTOR, 3P, FEMALE	

# FIGURE PB2 LIST OF ELECTRIC PARTS

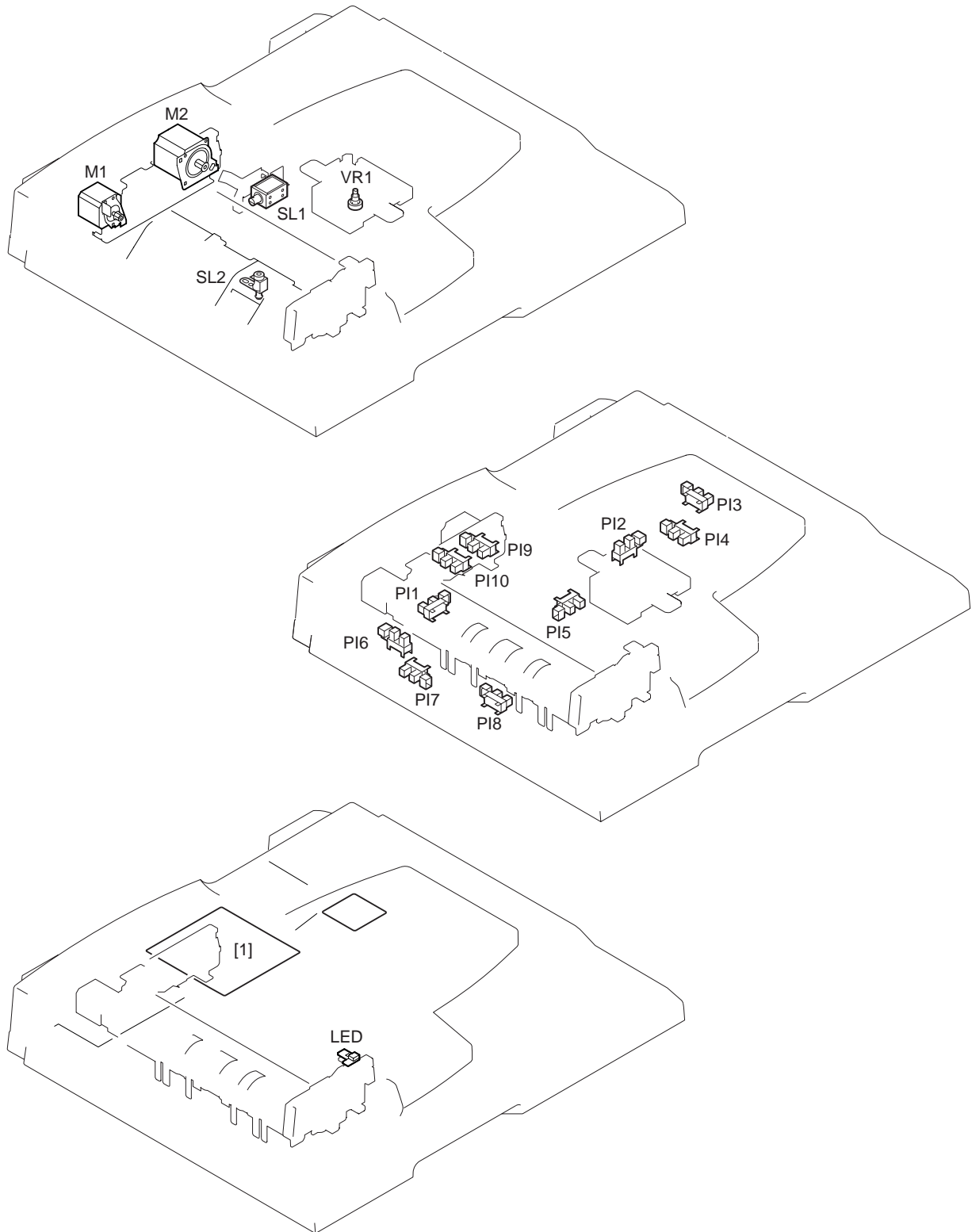


FIGURE & KEY NO.	PART NUMBER	RANK	QTY	DESCRIPTION	SERIAL NUMBER / REMARKS
P B2 -	NPN		RF	LIST OF ELECTRIC PARTS	
1	FG3-1822-000		1	ADF DC CONTROLLER PCB ASSEMBLY	
LED	FG3-1877-000		1	LED PCB UNIT	
M1	FH6-1894-000		1	MOTOR, STEPPING	
M2	FH6-1895-000		1	MOTOR, STEPPING	
PI1	WG8-5362-000		1	IC, TLP1241, PHOTO-INTERRUPTER	
PI2	WG8-5362-000		1	IC, TLP1241, PHOTO-INTERRUPTER	
PI3	WG8-5362-000		1	IC, TLP1241, PHOTO-INTERRUPTER	
PI4	WG8-5362-000		1	IC, TLP1241, PHOTO-INTERRUPTER	
PI5	WG8-5362-000		1	IC, TLP1241, PHOTO-INTERRUPTER	
PI6	WG8-5362-000		1	IC, TLP1241, PHOTO-INTERRUPTER	
PI7	WG8-5362-000		1	IC, TLP1241, PHOTO-INTERRUPTER	
PI8	WG8-5362-000		1	IC, TLP1241, PHOTO-INTERRUPTER	
PI9	WG8-5362-000		1	IC, TLP1241, PHOTO-INTERRUPTER	
PI10	WG8-5362-000		1	IC, TLP1241, PHOTO-INTERRUPTER	
SL1	FH6-5021-000		1	SOLENOID	
SL2	FH6-5022-000		1	SOLENOID	
VR1	FG3-1821-000		1	VARIABLE RESISTOR UNIT	



# D NUMERICAL INDEX

PART NUMBER	FIGURE & KEY NO.	PART NUMBER	FIGURE & KEY NO.	PART NUMBER	FIGURE & KEY NO.
FB4-5944-000	P11 - 1	FF3-4306-000	P11 - 11	VS1-0842-003	P B1 - J15
FB4-5945-000	P11 - 27	FF3-4307-000	P11 - 26		P B1 - J201
FB4-5946-000	P11 - 12A	FF5-5739-000	P11 - 2		P B1 - J301
FB5-4544-000	P01 - 1	FF6-1268-000	P11 - 12		P B1 - J302
FB5-9369-000	P11 - 8	FF6-1270-000	P11 - 35		P B1 - J303
FB5-9379-000	P11 - 9	FF6-1272-000	P11 - 30		P B1 - J304
FB5-9380-000	P11 - 28	FF6-1273-000	P11 - 31		P B1 - J305
FB5-9381-000	P11 - 29	FF6-1274-000	P11 - 13		P B1 - J306
FB5-9385-000	P11 - 17	FF6-1275-000	P31 - 12		P B1 - J307
FB5-9388-000	P11 - 38	FF6-1276-000	P12 - 10		P B1 - J308
FB5-9389-000	P11 - 39	FF6-1277-000	P12 - 11		P B1 - J309
FB5-9391-000	P11 - 34	FF6-1278-000	P12 - 12		P B1 - J310
FB5-9392-000	P11 - 4	FF6-1279-000	P12 - 1	VS1-0842-009	P B1 - J13
FB5-9393-000	P11 - 18	FF6-1280-000	P31 - 13	VS1-5057-002	P11 - 33
FB5-9394-000	P11 - 19	FF6-1282-000	P31 - 14	VS1-5057-003	P12 - 9A
FB5-9395-000	P11 - 20	FF6-1285-000	P33 - 29	VS1-5057-009	P11 - 10A
FB5-9399-000	P11 - 21	FF6-1286-000	P33 - 30		P B1 - J13
FB5-9400-000	P11 - 22	FF6-1287-000	P33 - 31	VS1-5824-003	P B1 - J5
FB5-9401-000	P11 - 23	FF6-1289-000	P11 - 7	VS1-5824-004	P B1 - J6
FB5-9402-000	P11 - 24	FF6-1290-000	P33 - 51	VS1-5824-007	P B1 - J101
FB5-9406-000	P11 - 25	FF6-1291-000	P33 - 52	VS1-6225-004	P B1 - J11
FB5-9410-000	P11 - 3	FF6-1292-000	P33 - 53	VS1-6225-006	P B1 - J4
FB5-9414-000	P12 - 10A	FF6-1293-000	P33 - 16	VS1-6225-012	P B1 - J3
FB5-9415-000	P12 - 15	FG3-1820-000	P11 - 16	VS1-6225-015	P B1 - J102
FB5-9417-000	P12 - 16	FG3-1821-000	P12 - 19	VS3-5080-007	P B1 - CN1
FB5-9420-000	P12 - 2		P B2 - VR1		P B1 - J1
FB5-9423-000	P12 - 3	FG3-1822-000	P93	VS3-5083-002	P B1 - J2
FB5-9424-000	P12 - 4		P B2 - 1	WG8-5362-000	P11 - 14
FB5-9427-000	P12 - 5	FG3-1876-000	P12 - 14		P12 - 13
FB5-9428-000	P12 - 6	FG3-1877-000	P33 - 50		P33 - 47
FB5-9434-000	P31 - 1		P B2 - LED		P B2 - P11
FB5-9435-000	P31 - 2	FG6-7659-000	P12 -		P B2 - P12
FB5-9436-000	P31 - 3	FG6-7660-000	P31 -		P B2 - P13
FB5-9438-000	P31 - 4	FG6-7661-000	P33 -		P B2 - P14
FB5-9439-000	P31 - 5	FG6-7677-000	P33 - 24		P B2 - P15
FB5-9440-000	P31 - 6	FH2-6481-000	P B1 - CN1		P B2 - P16
FB5-9441-000	P31 - 7	FH6-1894-000	P33 - 55		P B2 - P17
FB5-9443-000	P31 - 8		P B2 - M1		P B2 - P18
FB5-9445-000	P31 - 16	FH6-1895-000	P33 - 46		P B2 - P19
FB5-9446-000	P31 - 17		P B2 - M2		P B2 - P10
FB5-9448-000	P31 - 23	FH6-5021-000	P11 - 6	WS3-5044-000	P B1 - CN1
FB5-9449-000	P31 - 26		P B2 - SL1	WS3-5160-000	P B1 - J2
FB5-9450-000	P31 - 24	FH6-5022-000	P11 - 32	WS3-5358-000	P B1 - J5
FB5-9451-000	P31 - 18		P B2 - SL2		P B1 - J6
FB5-9452-000	P31 - 9	FS1-1189-000	P33 - 33	WT1-5155-000	P B1 - J101
FB5-9460-000	P33 - 28	FS1-9010-000	P33 - 39		P B1 - CN1
FB5-9462-000	P33 - 7	FS2-1538-000	P31 - 19		P B1 - J1
FB5-9463-000	P33 - 8	FS2-9540-000	P01 - 2	XA9-0874-000	P01 - 4
FB5-9465-000	P33 - 9	FS2-9542-000	P01 - 3	XA9-0894-000	P11 - 15
FB5-9466-000	P33 - 10	FS4-0590-000	P12 - 17	XB1-2300-309	P11 - 510
FB5-9467-000	P33 - 11	FS5-3927-000	P33 - 34	XB1-2300-406	P33 - 502
FB5-9468-000	P33 - 12	FS5-3928-000	P33 - 35	XB1-2400-606	P11 - 501
FB5-9469-000	P33 - 13	FS5-3929-000	P33 - 36	XB1-2400-609	P11 - 502
FB5-9470-000	P33 - 14	FS5-3930-000	P33 - 37		P33 - 501
FB5-9471-000	P33 - 15	FS5-3931-000	P33 - 38	XB1-2401-406	P11 - 507
FB5-9473-000	P33 - 17	FS6-1020-000	P33 - 40	XB4-5300-809	P11 - 503
FB5-9474-000	P33 - 18	FS6-1022-000	P33 - 41		P12 - 501
FB5-9477-000	P33 - 20	FS6-8816-000	P01 - 7		P31 - 501
FB5-9480-000	P33 - 21	FS7-2660-000	P11 - 36		P33 - 503
FB5-9481-000	P33 - 22	FS7-2661-000	P11 - 40	XB4-5400-809	P11 - 506
FB5-9482-000	P33 - 32	FS7-2662-000	P11 - 5		P33 - 504
FB5-9483-000	P33 - 23	FS7-2663-000	P31 - 15	XB4-5401-006	P11 - 504
FB5-9485-000	P33 - 42	FS7-2664-000	P33 - 1	XB4-5401-009	P11 - 505
FB5-9486-000	P33 - 19	FS7-2665-000	P33 - 54	XB7-2100-405	P11 - 508
FB5-9491-000	P33 - 52A	FU3-0027-000	P31 - 20	XD2-1100-402	P11 - 512
FB5-9497-000	P12 - 20	FU3-0028-000	P33 - 43		P33 - 506
FB5-9498-000	P12 - 20	FU3-0029-000	P33 - 44	XD2-1100-502	P11 - 509
FB5-9499-000	P12 - 20	FU3-0030-000	P33 - 45		P31 - 502
FB5-9500-000	P12 - 20	PCB	P B1 - J1	XD2-1100-642	P33 - 505
FB5-9504-000	P01 - 5		P B1 - J2	XD3-1300-162	P11 - 511
FB5-9505-000	P01 - 6		P B1 - J3	XD3-2200-102	P31 - 503
FB5-9506-000	P12 - 18		P B1 - J4	XF2-1604-340	P33 - 48
FB5-9507-000	P12 - 18		P B1 - J5	XF2-1605-940	P33 - 2
FB5-9508-000	P12 - 18		P B1 - J6	XF2-1606-140	P31 - 22
FB5-9509-000	P12 - 11A		P B1 - J7	XF2-1607-440	P33 - 3
FC3-0634-000	P12 - 7		P B1 - J8	XF2-1610-240	P33 - 5
FC3-0636-000	P31 - 25		P B1 - J10	XF2-1616-060	P33 - 6
FC3-0661-000	P31 - 10		P B1 - J11	XF9-0727-000	P33 - 4
	P33 - 25		P B1 - J101	XG9-0403-000	P33 - 49
FC3-0662-000	P31 - 11		P B1 - J102	XH9-0126-000	P11 - 7A
	P33 - 26		P B1 - J201		
FC3-0665-000	P12 - 8	RS1-1042-000	P11 - 37		
FF3-4302-000	P11 - 10	RS1-1053-000	P31 - 21		
FF3-4303-000	P33 - 27	VD7-1561-201	P93 - FU1		
FF3-4304-000	P12 - 9	VS1-0842-002	P B1 - J14		





Prepared by  
OFFICE IMAGING PRODUCTS QUALITY ASSURANCE CENTER  
CANON INC.  
Printed in Japan

REVISION 0 [ APR. 2001 ]

5-1, Hakusan 7-chome, Toride-city, Ibaraki 302-8501, Japan



This publication is  
printed on 100%  
recycled paper.

**Canon**